

DOUBLESIDE LAMP

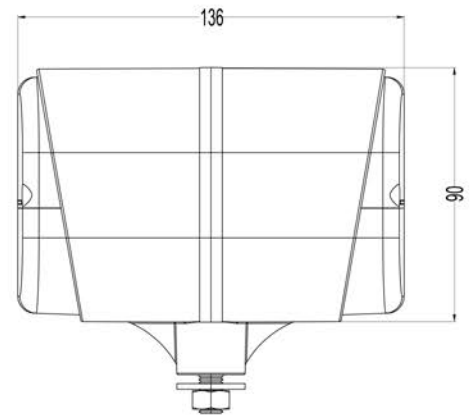
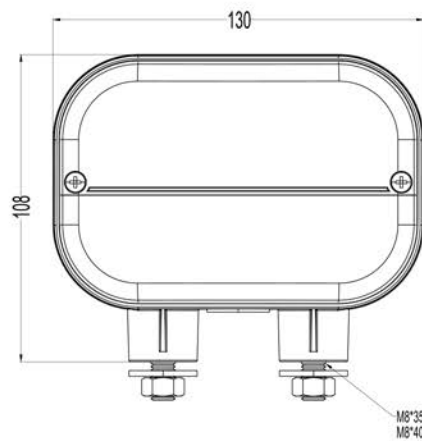


Features

- 5 Functions: Front Position, Front Indicator, Rear Position, Rear Indicator, Brake
- Homologated, ECE R6 R7
- 2K Injection Technology
- Special design fixing screw
- Stainless Steel Reflectors
- Compact elegant solutions especially for small tractors
- Rigid & Strong Body Lateral (Side) and Upright mounting
- % 100 tested before delivery



PARTS	PARTS NAME	PARTS NO
	DOUBLESIDE LAMP	0001.3204.XXX
	DOUBLESIDE LAMP SS	0001.3204.XXX



BULB	
12 V 21 W	0001.2027.000
12 V 21/5 W	0001.2029.000
12 V 5 W	0001.2028.000

LENS	
SIGNAL	0001.0045.000
STOP	0001.0072.000